

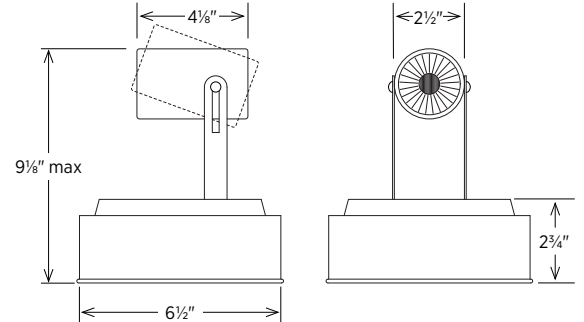
LED Mini Surface Accent w/ Integral Driver

1300lm / 40° Beam / Accent Housing

Project	Type
Notes	Quantity

Description

This is a smaller, more compact version of the Standard Surface Accent for close-in applications, and where individual pieces need that certain extra visibility. Small and efficient, Rambusch LED accent units are the perfect complement to an interior lighting scheme for adding gentle focus and direction without adding maintenance. With X-Y aiming and built-in snoots for glare control, these units use very little power and generate minimal heat, so you can locate them anywhere on any surface.



Physical

- Adjustable X-Y positioning, built-in snoot for glare control
- Consumes minimal power, generates minimal heat
- For interior applications
- Fully dimmable, phase-cut, PWM, CCR, 0-10V, DALI, digital EcoSystem, LedSync, DMX512 and other protocols
- Integral drivers standard, 120V, 277V, 50/60Hz
- Xicato XTM Standard series, corrected cold phosphor; other series available
- 2700K to 4000K; CRI(Ra) ≥ 80 standard, CRI(Ra) ≥ 90 and 95 available
- L70/B0 @ 50,000h (0% of LED population declines to 70% brightness in 50,000h)
- Lightweight unit affords easy mounting to walls, ceilings and other surfaces
- Cooling sink is enclosed within housing
- Suitable for all interior building types and spaces
- Fixtures are fully wired and thermally protected
- Damp rating available

Ordering Example

Housing	Lumen Pkg	CCT	Beam Angle	Canopy	Yoke	Finish	Driver
SAM-LED	1x1300	30K	30	RC	LY	SF	ELD

Finish

- Baked white or black enamel standard.
- Other exterior finishes available (painted, polished, brushed)

Electrical

- 115/120V, 277V, 50/60Hz
- 90C thermal protection

Available Dimming

- Drivers available — Non-Dimming • Forward Phase 2-wire (Lutron Hi-Lume LTEA4U1UKN-JA105, "LUT2") • Lutron ecoSystem (LDE14U1UKN-GA105, "LUT4") • 0-10V (EldoLED, "ELD"), DMX (RDM) • DALI control protocols.

Drivers and Controls

- To guarantee visual and electrical performance, please consult with a qualified engineer to review the type of application, dimming requirements and controls.