

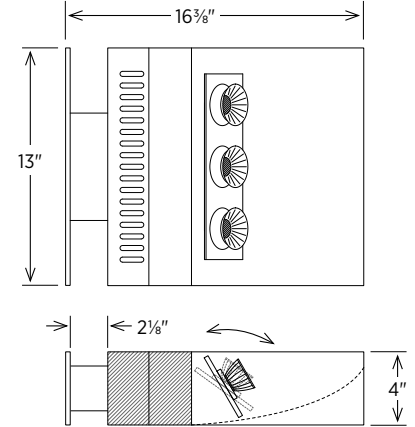
## LED flite™ Architectural Uplight Series

9000lm / Flite Housing

Project	Type
Notes	Quantity

### Description

This is a large-sized adjustable LED uplight fixture that gives you multiple options for lumen output and housing design. Our unique, low profile approach to thermal management is patent-pending, and allows flite™ units to support higher lumen packages in smaller, lighter weight fixtures. A variety of integral and remote drivers are available for all popular dimming options. Standard illumination packages range from 6,000 to 9,000 lumens.



### Physical

- The heart of the flite™ system is a passive-cooling plate that acts as heatsink, radiator and LED platform
- Typically in a rectangular form, the cooling plate can take any shape to suit a specifier's needs
- Cooling plate is enclosed within the reflector housing
- The LED holder rotates about its horizontal axis to adjust distribution in the vertical dimension
- Positive internal locking
- Standard uplight units offer outputs of 2,600, 4,000, 5,200 and 6,500 lumens (output is increasing with advancing technology)
- Reduced weight affords easy wall mounting
- Custom units present nearly unlimited opportunities to support much greater lumen packages with a variety of drivers
- Integral or remote drivers available
- Driver selections available for compatibility with any dimming or control system protocol
- Fixtures are fully wired and thermally protected
- Any number of forms will house the flite™ system
- Use your imagination!

### Finish

- All exterior finishes available (painted, polished, brushed)

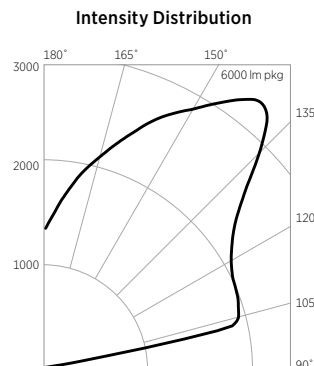
### Electrical

- 115/120V, 277V, 50/60Hz
- 90C thermal protection

### Available Dimming

- Drivers available — Non-Dimming • Forward Phase 2-wire (Lutron Hi-Lume LTEA4U1UKN-JA105, "LUT2") • Lutron ecoSystem (LDE14U1UKN-GA105, "LUT4") • 0-10V (EldoLED, "ELD"), DMX (RDM) • DALI control protocols.

### Photometrics



Candela Distribution	
vert angle	9000lm
90	0
100	564
110	2943
120	3084
130	3672
140	4896
150	4299
160	3569
170	2799
180	2001

ITL84218

Zonal Lumens		
zone	9000lm	% fixture
0-30	0	0
0-40	0	0
0-60	0	0
0-90	0	0
90-120	2156	27
90-130	3512	44
90-150	6250	78
90-180	7969	100
0-180	7969	100

### Drivers and Controls

- To guarantee visual and electrical performance, please consult with a qualified engineer to review the type of application, dimming requirements and controls.

### Energy

Beam Angle	Efficacy (lm/W)	System Lumens	Input Watts
na	80.5	7970	99

Based upon single driver, 6000lm package, ITL84218

### Ordering Example

Housing	Lumen Pkg	CCT	Canopy	Type	Housing	Finish	Driver
PAL-LED	3x3000	30K	na	FLT	H6	STD	LUT