

## LED Recessed Downlight, Mark V™

6000lm / 60° Beam / Bracket Housing

Project

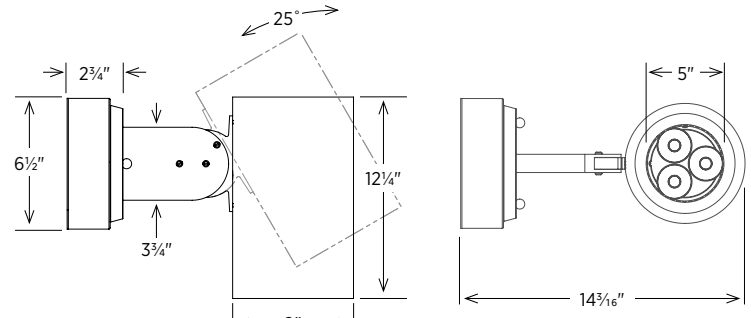
Type

Notes

Quantity

### Description

This LED bracket fixture is designed to be mounted on trusses or walls. It is the side-mounting version of our recessed LED downlight. Drivers can be housed either within the spun aluminum canopy, or mounted remotely. The fixture attaches at any angle, from which the housing tilts 25° outward. Multiple options for drivers, dimming protocol and beamspreads. Illumination packages range from 6,000 to 9,000 lumens. For interior applications.



### Physical

- Tilt mechanism angles housing 30° out from vertical
- Angle set with locking screw
- 20-gauge one-piece spun aluminum cylinder
- Aluminum bracket and canopy
- Canopy, or canopy/driver housing mounts to standard junction box with 3/8" center stud (by others)
- For use at all ceiling heights
- Install at any surface angle
- Can be customized for any historical application
- Driver selections available for compatibility with any dimming protocol or control system
- Fixtures are fully wired and thermally protected

### Finish

- Cylinder, tilt mechanism and canopy baked high temperature black or white, standard.
- Custom finishes available.

### Electrical

- 115/120V, 277V, 50/60Hz
- 90C thermal protection

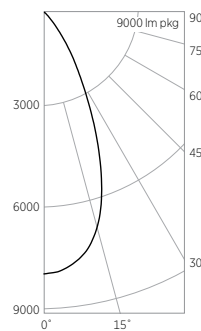
### Available Dimming

- Drivers available — Non-Dimming • Forward Phase 2-wire (Lutron Hi-Lume LTEA4U1UKN-JA105, "LUT2") • Lutron ecoSystem (LDE14U1UKN-GA105, "LUT4")
  - 0-10V (EldoLED, "ELD"), DMX (RDM)
  - DALI control protocols.



### Photometrics

#### 60° Wide Beam



Candela Distribution	
vert angle	6000lm
0°	5275
5°	5161
15°	4353
25°	2471
35°	867
45°	130
55°	7
65°	4
75°	4
85°	3

ITL896233

Fixture		FC
height	beam diam	6000lm
8'	9.2'	82
9'	10.4'	65
10'	11.5'	53
12'	13.9'	37
14'	16.2'	27
16'	18.5'	21
18'	20.8'	16
20'	23.1'	13
total lumen output		3482
spacing criteria (0°)		0.77

### Energy

Beam Angle	Efficacy (lm/W)	System Lumens	Input Watts
60° wide beam	58.3	3482	59.7

Based upon single driver, 9000lm package, ITL89633

### Drivers and Controls

- To guarantee visual and electrical performance, please consult with a qualified engineer to review the type of application, dimming requirements and controls.

### Ordering Example

Housing	Lumen Pkg	CCT	Beam Angle	Finish	Driver
BD-LED	3x2000	30K	60	STD	LUT