

LED Recessed Downlight, Mark V™

4000lm / 40° Beam / Bracket Housing

Project

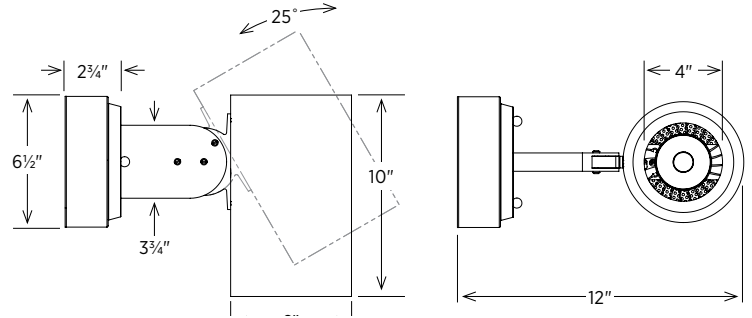
Type

Notes

Quantity

Description

This LED bracket fixture is designed to be mounted on trusses or walls. It is the side-mounting version of our recessed LED downlight. Drivers can be housed either within the spun aluminum canopy, or mounted remotely for a smaller horizontal profile when space is a concern. The fixture attaches at any angle, from which the housing tilts 25° outward. Multiple options for drivers, dimming protocol and beamspreads. Illumination packages range from 4,000 to 5,000 lumens. For interior applications.



Physical

- Tilt mechanism angles housing 30° out from vertical
- Angle set with locking screw
- 20-gauge one-piece spun aluminum cylinder
- Aluminum bracket and canopy
- Canopy, or canopy/driver housing mounts to standard junction box with 3/8" center stud (by others)
- For use at all ceiling heights
- Install at any surface angle
- Can be customized for any historical application
- Driver selections available for compatibility with any dimming protocol or control system
- Fixtures are fully wired and thermally protected

Finish

- Cylinder, tilt mechanism and canopy baked high temperature black or white, standard.
- Custom finishes available.

Electrical

- 115/120V, 277V, 50/60Hz
- 90C thermal protection

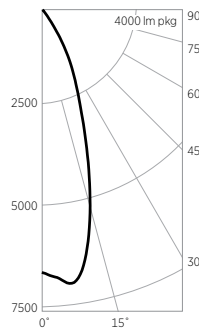
Available Dimming

- Drivers available — Non-Dimming • Forward Phase 2-wire (Lutron Hi-Lume LTEA4U1UKN-JA105, "LUT2") • Lutron ecoSystem (LDE14U1UKN-GA105, "LUT4")
- 0-10V (EldoLED, "ELD"), DMX (RDM) • DALI control protocols.



Photometrics

40° Medium Beam



Candela Distribution	
vert angle	4000 lm
0°	6631
5°	6910
15°	4535
25°	1864
35°	292
45°	3
55°	1
65°	0
75°	0
85°	0

ITL89614

Fixture		FC
height	beam diam	4000 lm
8'	5.8'	104
9'	6.6'	82
10'	7.3'	66
12'	8.7'	46
14'	10.2'	34
16'	11.6'	26
18'	13.1'	20
20'	14.6'	17
total lumen output		2971
spacing criteria (0°)		0.61

Energy

Beam Angle	Efficacy (lm/W)	System Lumens	Input Watts
40° medium beam	70.1	2971	42.4

Based upon single driver, 4000lm package, ITL89614

Drivers and Controls

- To guarantee visual and electrical performance, please consult with a qualified engineer to review the type of application, dimming requirements and controls.

Ordering Example

Housing	Lumen Pkg	CCT	Beam Angle	Finish	Driver
BD-LED	1x4000	30K	40	STD	ELD