

LED Recessed Downlight, Mark V™

4000lm / 60° Beam / 30° Tilt Housing

Project

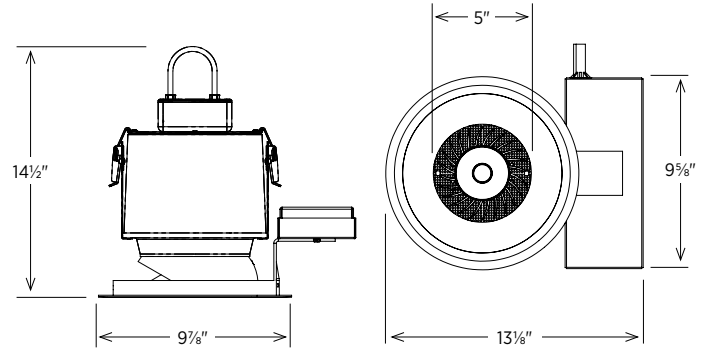
Type

Notes

Quantity

Description

LED downlight with 8" Twist-Loc chamfered trim plate, 5" aperture standard. Other trims available. Tilt housing for sloped ceilings up to 30°. Fast installation from above or below. Reversible mounting frame for wet construction or existing ceilings. LED units can replace all existing Rambusch downlights without removing old Twist-Loc trims. Multiple options are available for drivers, dimming, beamspreads, with illumination packages ranging from 4,000 to 5,000 lumens.



Physical

- Fixture tilts up to 30° from vertical
- Twist-Loc, conoids, baffle and minimum trims available
- Trims available for new construction and for retrofits with above- or below-ceiling access
- Aluminum housing, heat sinks, with optional steel mounting flanges and supports
- 20-gauge die-drawn steel and aluminum construction
- Positive locking housing with spring-loaded latches
- Recessed above the ceiling line
- Installation from above or below
- For use at all ceiling heights
- Driver selections available for compatibility with any dimming protocol or control system
- Fixtures are fully wired and thermally protected
- Retrofit plates and optional trim rings available for on-site replacement of existing Rambusch quartz downlights
- Rings can be customized for any historical application

Trim

- Twist-Loc standard, die-cast aluminum
- Sloping ramps on frame engage lugs on lower body for fast installation from above or below
- Reversible mounting frame: flange-up for wet construction, flange-down for existing ceilings
- Other trims available

Finish

- Face plate and trims, baked white enamel or custom
- Retrofit faceplates customized to ceiling surface

Electrical

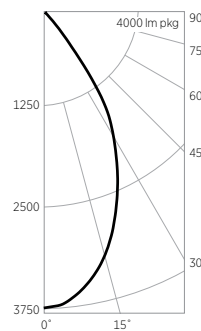
- 115/120V, 277V, 50/60Hz
- 90C thermal protection

Available Dimming

- Drivers available — Non-Dimming • Forward Phase 2-wire (Lutron Hi-Lume LTEA4U1UKN-JA105, "LUT2") • Lutron ecoSystem (LDE14U1UKN-GA105, "LUT4") • 0-10V (EldoLED, "ELD"), DMX (RDM) • DALI control protocols.

Photometrics

60° Wide Beam



Candela Distribution	
vert angle	4000 lm
0°	3734
5°	3644
15°	3069
25°	2152
35°	1025
45°	3
55°	2
65°	2
75°	2
85°	1

Fixture		FC
height	beam diam	4000 lm
8'	9.2'	58
9'	10.4'	46
10'	11.5'	37
12'	13.9'	26
14'	16.2'	19
16'	18.5'	15
18'	20.8'	12
20'	23.1'	9
total lumen output		2821
spacing criteria (0°)		0.84

ITL89618

Energy

Beam Angle	Efficacy (lm/W)	System Lumens	Input Watts
60° wide beam	66.5	2821	42.4

Based upon single driver, 4000lm package, ITL89618

Retrofits

- Coordinate job specifics with factory if adding **-RETRO** to upgrade existing Rambusch products.
- Downlight **Gap Rings** are available to close annular ceiling space of other products. Coordinate job specifics with factory.

Drivers and Controls

- To guarantee visual and electrical performance, please consult with a qualified engineer to review the type of application, dimming requirements and controls.

Ordering Example

Housing	Lumen Pkg	CCT	Beam Angle	Tilt Angle	Trim	Finish	Driver
RD-LED	1x4000	30K	60	T30	LC	STD	ELD