

LED *flite*-Pak™ Compact Surface Uplight

1100lm / FlitePak Housing

Project

Type

Notes

Quantity

Description

The discreet *flite*-Pak places LED uplighting where it would be impossible to use other indirects. This is a miniaturized uplight fixture for any indirect or wall wash application where space is limited, or luminaires must remain inconspicuous.

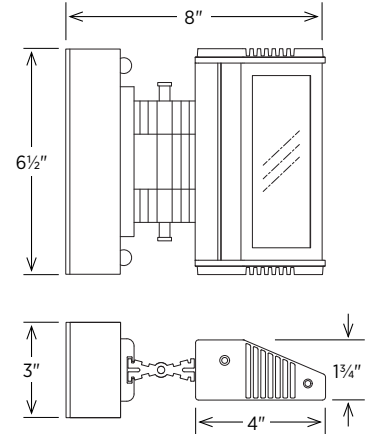
Our unique *flite*™ thermal management approach is patent-pending, allowing you to incorporate LED where it couldn't fit before.

The compact *flite*-Pak includes an integral, dimmable driver and adjustable bracket that adapts to most architectural conditions — above moldings, within coves, on walls and ceilings. Baked white or black enamel standard. Other finishes available.



Round Canopy Option ^

Rectangular Canopy, brushed finish (SF)
Round Canopy, standard finish (STD)



Specifications refer to rectangular canopy.

Physical

- Nominal output of 1,100 lumens
- Extruded aluminum body with die cast end plates
- Lightweight unit affords easy mounting to walls, ceilings and other surfaces
- Light output is above the 90° fixture plane
- Hinged bracket tilts LED housing to adjust distribution in the vertical dimension
- Integral drivers available for 0-10V analog dimming standard (consult factory for other dimming options)
- Patent pending *flite*™ thermal technology
- Cooling plate is enclosed within housing
- Suitable for all interior building types and spaces
- Fixtures are fully wired and thermally protected
- Damp rating available

Finish

- Baked white or black enamel standard. Other exterior finishes available (painted, polished, brushed).

Electrical

- 115/120V, 277V, 50/60Hz
- 90C thermal protection

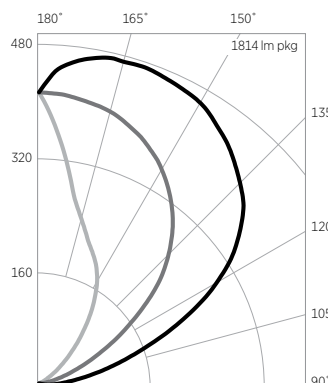
Available Dimming

- Drivers available — Non-Dimming • Forward Phase 2-wire (Lutron Hi-Lume LTEA4U1UKN-JA105, "LUT2") • Lutron ecoSystem (LDE14U1UKN-GA105, "LUT4") • 0-10V (EldoLED, "ELD"), DMX (RDM) • DALI control protocols.

Drivers and Controls

- To guarantee visual and electrical performance, please consult with a qualified engineer to review the type of application, dimming requirements and controls.

Photometrics



Candela Dist ¹		Zonal Lumens		
vert angle	1100lm	zone	1100lm	% fixt
85	11	0-30	0	0
90	18	0-40	0	0
95	30	0-60	0	0
105	74	0-90	4	1
115	144	90-120	108	18
125	207	90-130	204	33
135	245	90-150	431	70
145	269	90-180	613	99
155	283	0-180	617	100
165	287			
175	276			
180	251			
ITL90306				

¹ - Distribution in the 0° plane

Energy

Beam Angle	Efficacy (lm/W)	System Lumens	Input Watts
na	76.5	617	8.1

Based upon single driver, 1814lm package, ITL90306

Ordering Example

Housing	Lumen Pkg	CCT	Canopy	Yoke	Driver Location	Finish	Driver
PAL-LP	2x550	30K	SC	IY	ID	STD	LUT