

## LED Recessed Downlight, Mark V™

6000lm / 40° Beam / 30° Tilt Retrofit Housing

Project

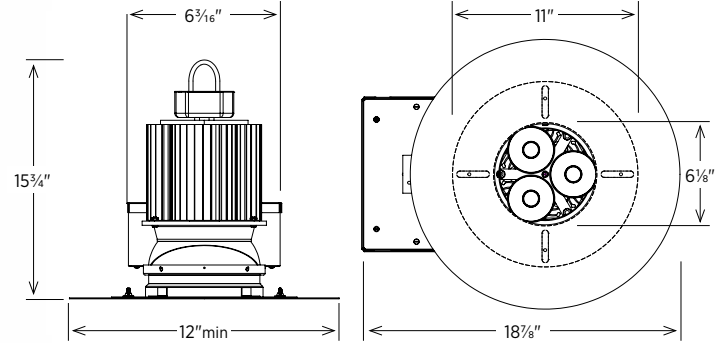
Type

Notes

Quantity

### Description

LED tilt downlight fixture designed to minimize the disturbance to historic ceilings and existing surface finishes when installed from above. Built with an adjustable, wide trim plate that can be customized for any historical situation. Can replace every existing quartz Rambusch downlight from below the ceiling, without removing the existing Rambusch trims. Multiple options available for drivers, dimming and beamsreads, with illumination packages ranging from 6,000 to 9,000 lumens.



### Physical

- Fixture tilts up to 30° from vertical
- Adjustable retrofit plates and optional trim rings available for on-site replacement of existing Rambusch quartz downlights
- Trims available for above- or below-ceiling access
- Rings can be customized for any historical application
- Aluminum housing, heat sinks, with optional steel mounting flanges and supports
- 20-gauge die-drawn steel and aluminum construction
- Positive locking housing with spring-loaded latches
- Recessed above the ceiling line
- Installation from above or below
- For use at all ceiling heights
- Driver selections available for compatibility with any dimming protocol or control system
- Fixtures are fully wired and thermally protected

### Trim

- Adjustable steel retrofit plate standard
- Installation from above or below

### Finish

- Retrofit faceplates can be customized to match any ceiling surface or decorative finish

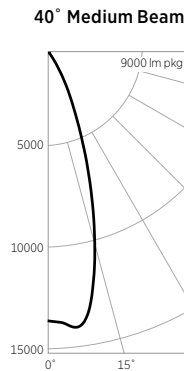
### Electrical

- 115/120V, 277V, 50/60Hz
- 90C thermal protection

### Available Dimming

- Drivers available — Non-Dimming • Forward Phase 2-wire (Lutron Hi-Lume LTEA4U1UKN-JA105, "LUT2") • Lutron ecoSystem (LDE14U1UKN-GA105, "LUT4") • 0-10V (EldoLED, "ELD"), DMX (RDM) • DALI control protocols.

### Photometrics



Candela Distribution	
vert angle	6000lm
0°	9041
5°	9283
15°	5825
25°	1795
35°	171
45°	9
55°	5
65°	4
75°	3
85°	2

ITL89626

Fixture		
height	beam diam	6000lm
8'	5.8'	141
9'	6.6'	112
10'	7.3'	90
12'	8.7'	63
14'	10.2'	46
16'	11.6'	35
18'	13.1'	28
20'	14.6'	23
total lumen output		3475
spacing criteria (0°)		0.56

### Energy

Beam Angle	Efficacy (lm/W)	System Lumens	Input Watts
40° medium beam	58.4	3475	59.6

Based upon single driver, 9000lm package, ITL89626

### Retrofits

- Coordinate job specifics with factory if adding **-RETRO** to upgrade existing Rambusch products.
- Downlight **Gap Rings** are available to close annular ceiling space of other products. Coordinate job specifics with factory.

### Drivers and Controls

- To guarantee visual and electrical performance, please consult with a qualified engineer to review the type of application, dimming requirements and controls.

### Ordering Example

Housing	Lumen Pkg	CCT	Beam Angle	Tilt Angle	Trim	Finish	Driver
RD-LED	3x2000	30K	40	T30	RETRO	STD	LUT