

## LED Recessed Downlight, Mark V™

9000lm / 40° Beam / 30° Tilt Housing

Project

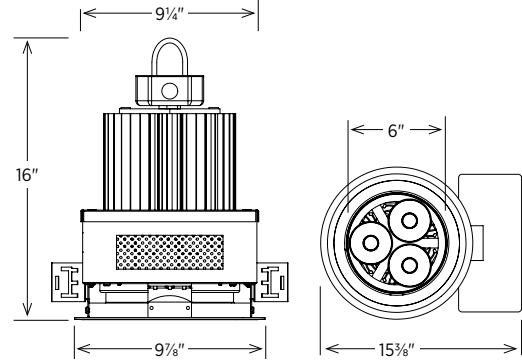
Type

Notes

Quantity

### Description

LED downlight with 8" die-cast aluminum Twist-Loc chamfered trim plate, 6-1/4" aperture. Tilt housing for sloped ceilings up to 30°. Fast installation from above or below. Reversible mounting frame for wet construction or existing ceilings. LED units can replace all existing Rambusch downlights without removing old Twist-Loc trims. Multiple options are available for drivers, dimming, beamsreads, with illumination packages ranging from 6,000 to 9,000 lumens.



### Physical

- Fixture tilts up to 30° from vertical
- Twist-Loc, conoids, baffle and minimum trims available
- Trims available for new construction and for retrofits with above- or below-ceiling access
- Aluminum housing, heat sinks, with optional steel mounting flanges and supports
- 20-gauge die-drawn steel and aluminum construction
- Positive locking housing with spring-loaded latches
- Recessed above the ceiling line
- Installation from above or below
- For use at all ceiling heights
- Driver selections available for compatibility with any dimming protocol or control system
- Fixtures are fully wired and thermally protected
- Retrofit plates and optional trim rings available for on-site replacement of existing Rambusch quartz downlights
- Rings can be customized for any historical application

### Trim

- Twist-Loc standard, die-cast aluminum
- Sloping ramps on frame engage lugs on lower body for fast installation from above or below
- Reversible mounting frame: flange-up for wet construction, flange-down for existing ceilings
- Other trims available

### Finish

- Face plate and trims, baked white enamel or custom
- Retrofit faceplates customized to ceiling surface

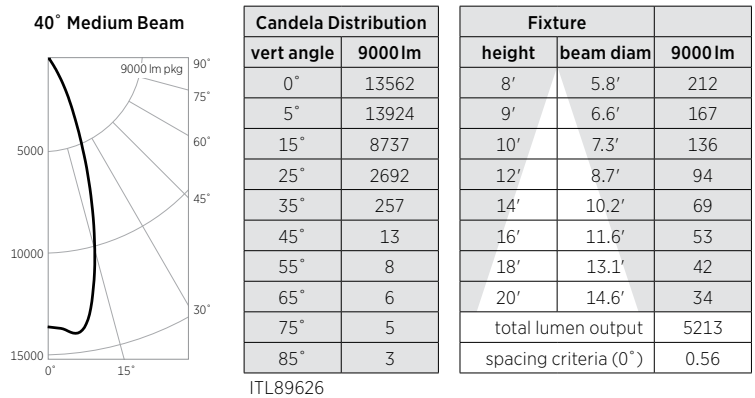
### Electrical

- 115/120V, 277V, 50/60Hz
- 90C thermal protection

### Available Dimming

- Drivers available — Non-Dimming • Forward Phase 2-wire (Lutron Hi-Lume LTEA4U1UKN-JA105, "LUT2") • Lutron ecoSystem (LDE14U1UKN-GA105, "LUT4") • 0-10V (EldoLED, "ELD"), DMX (RDM) • DALI control protocols.

### Photometrics



### Energy

Beam Angle	Efficacy (lm/W)	System Lumens	Input Watts
40° medium beam	58.4	5213	89.4

Based upon single driver, 9000lm package, ITL89626

### Retrofits

- Coordinate job specifics with factory if adding **-RETRO** to upgrade existing Rambusch products.
- Downlight **Gap Rings** are available to close annular ceiling space of other products. Coordinate job specifics with factory.

### Drivers and Controls

- To guarantee visual and electrical performance, please consult with a qualified engineer to review the type of application, dimming requirements and controls.

### Ordering Example

Housing	Lumen Pkg	CCT	Beam Angle	Tilt Angle	Trim	Finish	Driver
RD-LED	3x3000	30K	40	T30	LC	STD	ELD