

LED Recessed Downlight, Mark V™

6000lm / 40° Beam / 30° Tilt Housing

Project

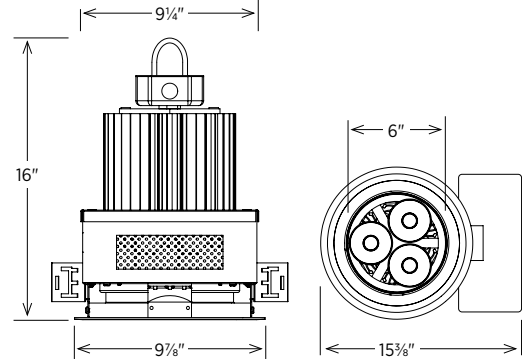
Type

Notes

Quantity

Description

LED downlight with 8" die-cast aluminum Twist-Loc chamfered trim plate, 6-1/4" aperture. Tilt housing for sloped ceilings up to 30°. Fast installation from above or below. Reversible mounting frame for wet construction or existing ceilings. LED units can replace all existing Rambusch downlights without removing old Twist-Loc trims. Multiple options are available for drivers, dimming, beamspreads, with illumination packages ranging from 6,000 to 9,000 lumens.



Physical

- Fixture tilts up to 30° from vertical
- Twist-Loc, conoids, baffle and minimum trims available
- Trims available for new construction and for retrofits with above- or below-ceiling access
- Aluminum housing, heat sinks, with optional steel mounting flanges and supports
- 20-gauge die-drawn steel and aluminum construction
- Positive locking housing with spring-loaded latches
- Recessed above the ceiling line
- Installation from above or below
- For use at all ceiling heights
- Driver selections available for compatibility with any dimming protocol or control system
- Fixtures are fully wired and thermally protected
- Retrofit plates and optional trim rings available for on-site replacement of existing Rambusch quartz downlights
- Rings can be customized for any historical application

Trim

- Twist-Loc standard, die-cast aluminum
- Sloping ramps on frame engage lugs on lower body for fast installation from above or below
- Reversible mounting frame: flange-up for wet construction, flange-down for existing ceilings
- Other trims available

Finish

- Face plate and trims, baked white enamel or custom
- Retrofit faceplates customized to ceiling surface

Electrical

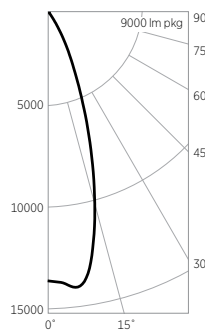
- 115/120V, 277V, 50/60Hz
- 90C thermal protection

Available Dimming

- Drivers available — Non-Dimming • Forward Phase 2-wire (Lutron Hi-Lume LTEA4U1UKN-JA105, "LUT2") • Lutron ecoSystem (LDE14U1UKN-GA105, "LUT4") • 0-10V (EldoLED, "ELD"), DMX (RDM) • DALI control protocols.

Photometrics

40° Medium Beam



Candela Distribution	
vert angle	6000lm
0°	9041
5°	9283
15°	5825
25°	1795
35°	171
45°	9
55°	5
65°	4
75°	3
85°	2

ITL89626

Fixture		
height	beam diam	6000lm
8'	5.8'	141
9'	6.6'	112
10'	7.3'	90
12'	8.7'	63
14'	10.2'	46
16'	11.6'	35
18'	13.1'	28
20'	14.6'	23
total lumen output		3475
spacing criteria (0°)		0.56

Energy

Beam Angle	Efficacy (lm/W)	System Lumens	Input Watts
40° medium beam	58.4	3475	59.6

Based upon single driver, 9000lm package, ITL89626

Retrofits

- Coordinate job specifics with factory if adding **-RETRO** to upgrade existing Rambusch products.
- Downlight **Gap Rings** are available to close annular ceiling space of other products. Coordinate job specifics with factory.

Drivers and Controls

- To guarantee visual and electrical performance, please consult with a qualified engineer to review the type of application, dimming requirements and controls.

Ordering Example

Housing	Lumen Pkg	CCT	Beam Angle	Tilt Angle	Trim	Finish	Driver
RD-LED	3x2000	30K	40	T30	LC	STD	LUT