

LED Recessed Downlight, Mark V™

6000lm / 40° Beam / Vertical Housing

Project

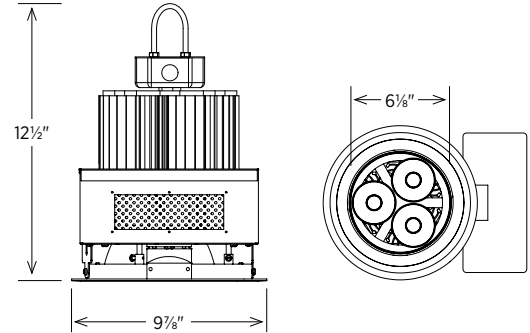
Type

Notes

Quantity

Description

LED downlight with 8" die-cast aluminum Twist-Loc chamfered trim plate, 6-1/4" aperture. Fast installation from above or below. Reversible mounting frame for wet construction or existing ceilings. LED units can replace all existing Rambusch downlights without removing old Twist-Loc trims. Multiple options are available for drivers, dimming, beamspreads, with illumination packages ranging from 6,000 to 9,000 lumens.



Physical

- Twist-Loc, conoids, baffle and minimum trims available
- Trims available for new construction and for retrofits with above- or below-ceiling access
- Aluminum housing, heat sinks, with optional steel mounting flanges and supports
- 20-gauge die-drawn steel and aluminum construction
- Positive locking housing with spring-loaded latches
- Recessed above the ceiling line
- Installation from above or below
- For use at all ceiling heights
- Driver selections available for compatibility with any dimming protocol or control system
- Fixtures are fully wired and thermally protected
- Retrofit plates and optional trim rings available for on-site replacement of existing Rambusch quartz downlights
- Rings can be customized for any historical application

Trim

- Twist-Loc standard, die-cast aluminum
- Sloping ramps on frame engage lugs on lower body for fast installation from above or below
- Reversible mounting frame: flange-up for wet construction, flange-down for existing ceilings
- Other trims available

Finish

- Face plate and trims, baked white enamel or custom
- Retrofit faceplates customized to ceiling surface

Electrical

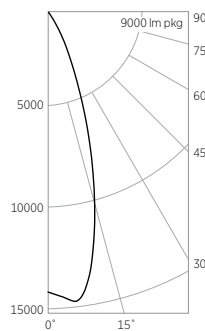
- 115/120V, 277V, 50/60Hz
- 90C thermal protection

Available Dimming

- Drivers available — Non-Dimming • Forward Phase 2-wire (Lutron Hi-Lume LTEA4U1UKN-JA105, "LUT2") • Lutron ecoSystem (LDE14U1UKN-GA105, "LUT4") • 0-10V (EldoLED, "ELD"), DMX (RDM) • DALI control protocols.

Photometrics

40° Medium Beam



| Candela Distribution | |
|----------------------|--------|
| vert angle | 6000lm |
| 0° | 9503 |
| 5° | 9860 |
| 15° | 6053 |
| 25° | 1953 |
| 35° | 200 |
| 45° | 8 |
| 55° | 4 |
| 65° | 3 |
| 75° | 2 |
| 85° | 2 |

ITL89632

| Fixture | | FC |
|-----------------------|-----------|--------|
| height | beam diam | 6000lm |
| 8' | 5.8' | 148 |
| 9' | 6.6' | 117 |
| 10' | 7.3' | 95 |
| 12' | 8.7' | 66 |
| 14' | 10.2' | 48 |
| 16' | 11.6' | 37 |
| 18' | 13.1' | 29 |
| 20' | 14.6' | 24 |
| total lumen output | | 3673 |
| spacing criteria (0°) | | 0.57 |

Energy

| Beam Angle | Efficacy (lm/W) | System Lumens | Input Watts |
|-----------------|-----------------|---------------|-------------|
| 40° medium beam | 61.5 | 3673 | 59.7 |

Based upon single driver, 9000lm package, ITL89632

Retrofits

- Coordinate job specifics with factory if adding **-RETRO** to upgrade existing Rambusch products.
- Downlight **Gap Rings** are available to close annular ceiling space of other products. Coordinate job specifics with factory.

Drivers and Controls

- To guarantee visual and electrical performance, please consult with a qualified engineer to review the type of application, dimming requirements and controls.

Ordering Example

| Housing | Lumen Pkg | CCT | Beam Angle | Tilt Angle | Trim | Finish | Driver |
|---------|-----------|-----|------------|------------|------|--------|--------|
| RD-LED | 3x2000 | 30K | 40 | VERT | LC | STD | LUT |