

## LED Recessed Downlight, Mark V™

4000lm / 60° Beam / Vertical Housing

Project

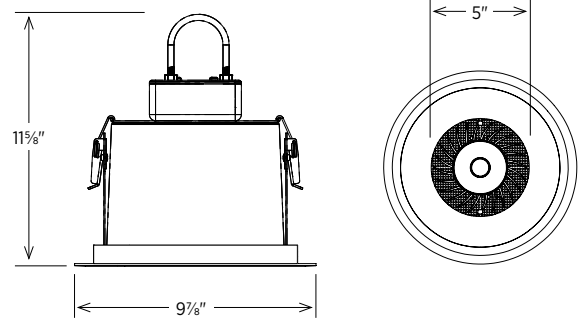
Type

Notes

Quantity

### Description

LED downlight with 8" Twist-Loc chamfered trim plate, 5" aperture standard. Other trims available. Fast installation from above or below. Reversible mounting frame for wet construction or existing ceilings. LED units can replace all existing Rambusch downlights without removing old Twist-Loc trims. Multiple options are available for drivers, dimming, beamspreads, with illumination packages ranging from 4,000 to 5,000 lumens.



### Physical

- Twist-Loc, conoids, baffle and minimum trims available
- Trims available for new construction and for retrofits with above- or below-ceiling access
- Aluminum housing, heat sinks, with optional steel mounting flanges and supports
- 20-gauge die-drawn steel and aluminum construction
- Positive locking housing with spring-loaded latches
- Recessed above the ceiling line
- Installation from above or below
- For use at all ceiling heights
- Driver selections available for compatibility with any dimming protocol or control system
- Fixtures are fully wired and thermally protected
- Retrofit plates and optional trim rings available for on-site replacement of existing Rambusch quartz downlights
- Rings can be customized for any historical application

### Trim

- Twist-Loc standard, die-cast aluminum
- Sloping ramps on frame engage lugs on lower body for fast installation from above or below
- Reversible mounting frame: flange-up for wet construction, flange-down for existing ceilings
- Other trims available

### Finish

- Face plate and trims, baked white enamel or custom
- Retrofit faceplates customized to ceiling surface

### Electrical

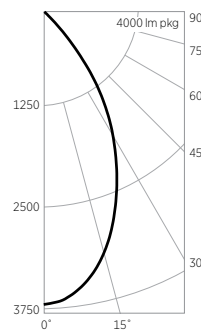
- 115/120V, 277V, 50/60Hz
- 90C thermal protection

### Available Dimming

- Drivers available — Non-Dimming • Forward Phase 2-wire (Lutron Hi-Lume LTEA4U1UKN-JA105, "LUT2") • Lutron ecoSystem (LDE14U1UKN-GA105, "LUT4") • 0-10V (EldoLED, "ELD"), DMX (RDM) • DALI control protocols.

### Photometrics

#### 60° Wide Beam



Candela Distribution	
vert angle	4000 lm
0°	3688
5°	3596
15°	3033
25°	2133
35°	1167
45°	91
55°	1
65°	1
75°	1
85°	1

ITL89615

Fixture		FC
height	beam diam	4000 lm
8'	9.2'	58
9'	10.4'	46
10'	11.5'	37
12'	13.9'	26
14'	16.2'	19
16'	18.5'	14
18'	20.8'	11
20'	23.1'	9
total lumen output		3002
spacing criteria (0°)		0.84

### Energy

Beam Angle	Efficacy (lm/W)	System Lumens	Input Watts
60° wide beam	70.8	3002	42.4

Based upon single driver, 4000lm package, ITL89615

### Retrofits

- Coordinate job specifics with factory if adding **-RETRO** to upgrade existing Rambusch products.
- Downlight **Gap Rings** are available to close annular ceiling space of other products. Coordinate job specifics with factory.

### Drivers and Controls

- To guarantee visual and electrical performance, please consult with a qualified engineer to review the type of application, dimming requirements and controls.

### Ordering Example

Housing	Lumen Pkg	CCT	Beam Angle	Tilt Angle	Trim	Finish	Driver
RD-LED	1x4000	30K	60	VERT	LC	STD	ELD